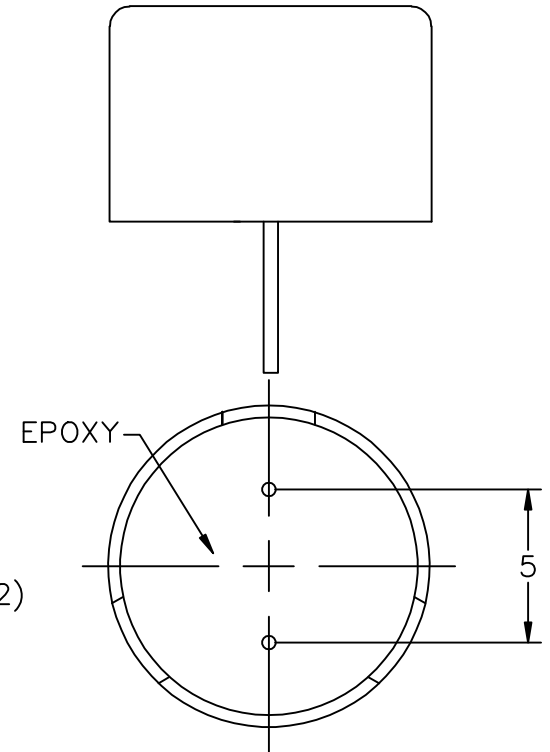
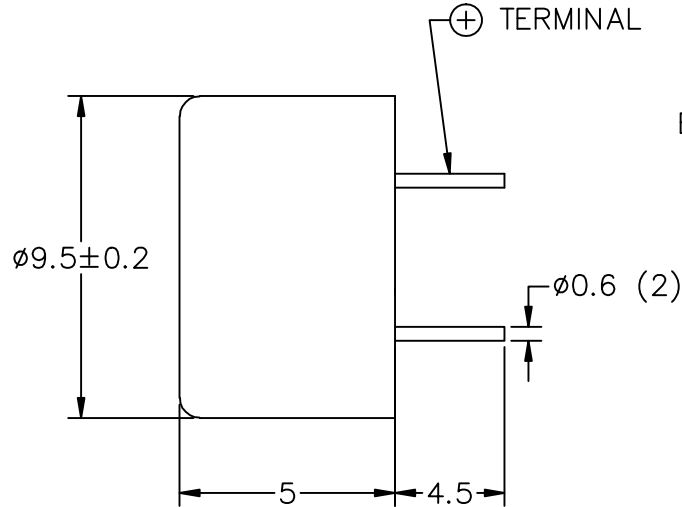
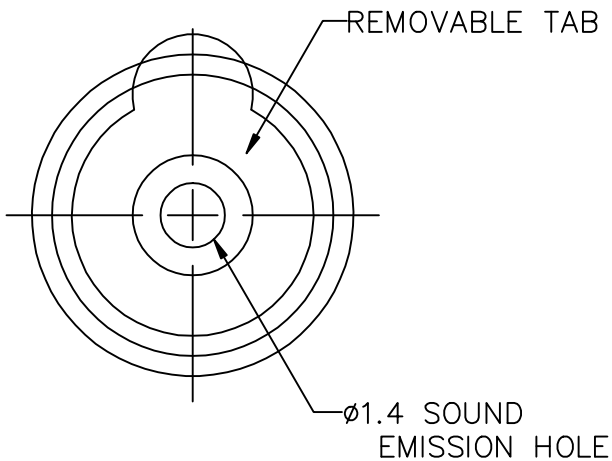


THIS DOCUMENT CONTAINS DATA PROPRIETARY TO PROJECTS UNLIMITED, INC. ANY USE OR REPRODUCTION, IN ANY FORM, WITHOUT PRIOR WRITTEN PERMISSION OF PROJECTS UNLIMITED, INC. IS PROHIBITED.
 ©2003, Projects Unlimited Inc.

SPECIFICATIONS

PARAMETERS	VALUES	UNITS
RATED VOLTAGE	5	Vdc
OPERATING VOLTAGE RANGE	3 ~ 8	Vdc
RATED CURRENT (MAX)	30	mA
MINIMUM SPL @ 10 cm	80	dBA
RESONANT FREQUENCY	2,700±200	Hz
TONE OR PULSE RATE	CONTINUOUS	0 PULSE PER SECOND
OPERATING TEMPERATURE	-20 ~ +80	°C
STORAGE TEMPERATURE	-30 ~ +85	°C
HOUSING MATERIAL	NORYL	-
TERMINAL MATERIAL	Sn PLATED RED COPPER	-
WEIGHT	1	grams

REVISIONS			
LTR	DESCRIPTION	DATE	APPROVED
-	RELEASED FROM ENGINEERING	4/29/05	
A	REVISED DIMENSION SIZE AND STYLE	11/28/05	B.R.
B	ADDED POSITIVE TERMINAL LOCATION	11/3/06	B.R.
C	REVISED PART NUMBER ON LABEL	1/23/07	D.F.
D	REMOVED PRODUCT LABELING	8/7/08	B.R.



NOTES:

1. ALL DIMENSIONS ARE IN MILLIMETERS.
2. SPECIFICATION SUBJECT TO CHANGE OR WITHDRAWAL WITHOUT NOTICE.
3. THIS PART IS RoHS 2002/95/EC COMPLIANT

UNLESS OTHERWISE SPECIFIED:
 DIMENSIONS ARE IN MILLIMETERS, TOLERANCES ARE ±0.5 AND ANGLES ARE ±3°.



projects®
unlimited

Dayton, Ohio

INDICATOR

APPROVALS	DATE
DRAWN <i>R.A.C.</i>	4/05
CHECKED <i>B.R.</i>	4/05
APPROVED <i>R.W.</i>	4/05

SIZE
A

DRAWING NO.
AI-1027-TWT-5V-R

FILE NAME
AI-1027-TWT-5V-R.DWG

DO NOT SCALE DRAWING

SCALE: N.T.S.

SHEET 1 OF 1